

GOLF'S NEW RULES: GREEN-READING MATERIALS

4 steps to see how and when a yardage or green book may be used

1 Will the book be used to help read the line of play on the putting green when either...

▶ playing from on the putting green

OR

▶ using a putter from anywhere else on the course?



NO

There are no limitations and the steps below do not matter.

For example, the book will be used only to determine where to hit a drive or an approach shot into a putting green.



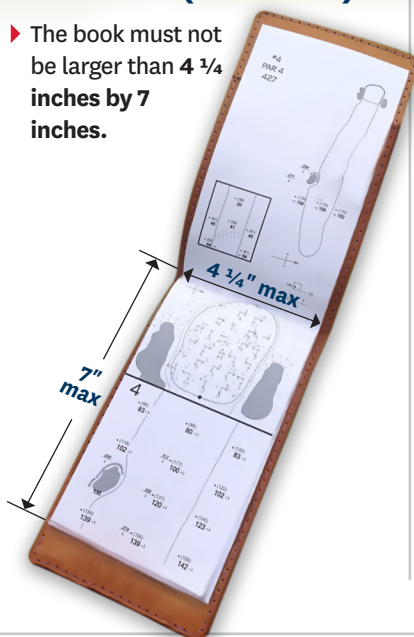
YES

The book will be used to read the line of play on the putting green.

Use the next 3 steps to see if it is allowed.

2 SIZE LIMIT (4 1/4" X 7")

▶ The book must not be larger than **4 1/4 inches by 7 inches**.



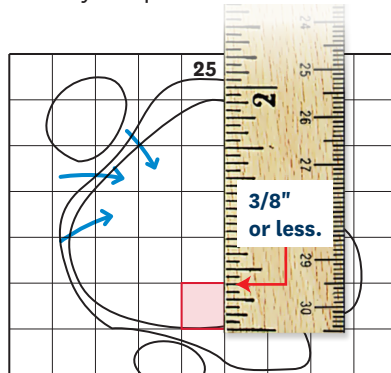
3 SCALE LIMIT (1:480)

▶ Any printed image of a putting green in the book must not be larger than the scale limit.

HOW TO CHECK:

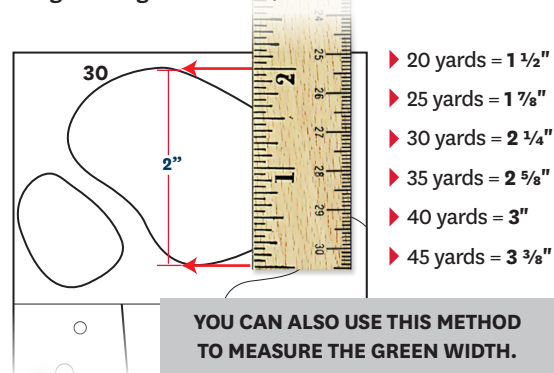
5 Yard Grid Method

Many books use green images that have 5-yard grids. To meet the scale limit, each 5-yard square must be **3/8" or less**.



Green Depth Measure Method

If the book does not have 5-yard grids, measure the green depth using any of the examples below. If it is **at the given length or shorter**, it is within the scale limit.



YOU CAN ALSO USE THIS METHOD TO MEASURE THE GREEN WIDTH.

4 HANDWRITTEN NOTES

HANDWRITTEN NOTES MUST ONLY BE:

Made by the player using it, or by any of the following:

- ▶ the player's caddie
- ▶ the partner or partner's caddie
- ▶ the advice giver (in team competitions)

AND

▶ on a piece of paper that meets the **SIZE LIMIT** (see step 2).



If the answer to Step 1 is **YES** and a player uses materials to read the line of play on the putting green that do not satisfy Steps 2, 3 or 4, the player is in **breach of Rule 4.3a**.

These steps can also be used to determine how materials may be accessed on an electronic device (such as a smartphone). For more information, including frequently asked questions on the use of green-reading materials, visit WWW.USGA.ORG/GRM